

Models and Characteristics

AC Spindle motor	Rated power		Rated Speed n_N rpm	Maximum Speed n_{MAX} -E01 rpm	Rated Torque M - S1 Nm	Rated Current I_N - S1 A_{rms}	Inertia J kg.cm ²	Weight		Vibration severity		Power cable Nr of wires x mm ²	Spindle Modular Drive	Spindle Compact Drive
	S1 kW	S6-40% kW						Flange mounting kg	Foot mounting kg	Standard	Option			
	FM7-A037-xxxx-E01	3.7	5.5	1500	9000	23.5	12.4	140	47	49	V5	V3	MPC-4x2.5	SPD 1.25
FM7-A055-xxxx-E01	5.5	7.7	1500	9000	35.0	14.6	210	52	56	V5	V3	MPC-4x2.5	SPD 1.25	SCD 1.25A
FM7-A075-xxxx-E01	7.5	11.0	1500	9000	47.7	19.8	260	59	64	V5	V3	MPC-4x4	SPD 1.35	SCD 2.35
FM7-A090-xxxx-E01	9.0	13.0	1500	9000	57.4	25.0	330	68	73	V5	V3	MPC-4x6	SPD 2.50	SCD 2.50
FM7-A110-xxxx-E01	11.0	15.5	1500	9000	70.0	28.0	690	94	110	V5	V3	MPC-4x6	SPD 2.50	SCD 2.50
FM7-A150-xxxx-E01	15.0	22.0	1500	8000	95.5	39.4	690	94	110	V5	V3	MPC-4x10	SPD 2.75	-----
FM7-A185-xxxx-E01	18.5	26.0	1000	8000	117.8	35.0	890	120	130	V5	V3	MPC-4x16	SPD 2.85	-----
FM7-A220-xxxx-E01	22.0	33.0	1500	8000	140.0	47.5	890	120	130	V5	V3	MPC-4x25	SPD 3.100	-----
FM7-B120-xxxx-E01	12.0	18.5	1500	8000	114.6	61.4	1080	135	145	V5	V3	MPC-4x10	SPD 2.75	-----
FM7-B170-xxxx-E01	17.0	25.0	1000	8000	162.3	47.3	1080	135	145	V5	V3	MPC-4x16	SPD 2.85	-----
FM7-A300-xxxx-E01	30.0	45.0	1500	6500	191.0	82.1	2310	220	230	V10	V5	MPC-4x35	SPD 3.150	-----
FM7-B220-xxxx-E01	22.0	33.0	1000	6500	210.0	64.9	2310	220	230	V10	V5	MPC-4x25	SPD 3.100	-----
FM7-A370-xxxx-E01	37.0	56.0	1500	6500	235.0	90.0	2660	250	260	V10	V5	MPC-4x50	SPD 3.200	-----
FM7-B280-xxxx-E01	28.0	42.0	1000	6500	267.4	78.2	2660	250	260	V10	V5	MPC-4x35	SPD 3.150	-----
FM7-A510-xxxx-E01	51.0	71.0	1500	5000	325.0	115.2	4730	340	350	V10	V5	MPC-4x50	SPD 3.200	-----
FM7-C215-xxxx-E01	21.5	29.0	500	5000	410.6	87.9	4730	340	350	V10	V5	MPC-4x50	SPD 3.150	-----
FM7-C270-xxxx-E01	27.0	37.0	500	5000	515.7	117.0	5480	380	390	V10	V5	MPC-4x50	SPD 3.200	-----
FM7-E600-xxxx-E01	60.0	80.0	1250	5000	458.4	117.4	8720	525	540	V10	----	MPC-4x50	SPD 3.200	-----

Encoder - Drive Cable.

5m	10m	15m	20m	25m	30m	35m	40m	45m	50m
EEC-FM7-05	EEC-FM7-10	EEC-FM7-15	EEC-FM7-20	EEC-FM7-25					
EEC-FM7S-05	EEC-FM7S-10	EEC-FM7S-15	EEC-FM7S-20	EEC-FM7S-25	EEC-FM7S-30	EEC-FM7S-35	EEC-FM7S-40	EEC-FM7S-45	EEC-FM7S-50
EEC-FM7CS-05	EEC-FM7CS-10	EEC-FM7CS-15	EEC-FM7CS-20	EEC-FM7CS-25	EEC-FM7CS-30	EEC-FM7CS-35	EEC-FM7CS-40	EEC-FM7CS-45	EEC-FM7CS-50

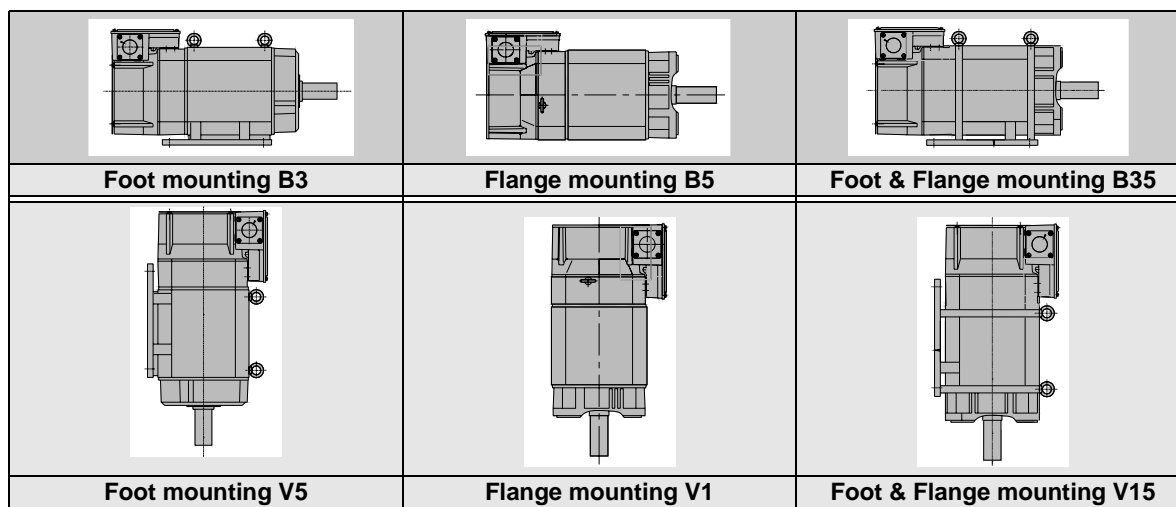
The EEC-FM7 and EEC-FM7S cables are indicated for Standard encoders.

The EEC-FM7S cable improves more flexibility and system immunity against disturbances.

The EEC-FM7CS cables are indicated for C axis encoder

All connections cables have incorporated the HD SubD connector M26 to connect to the drive.

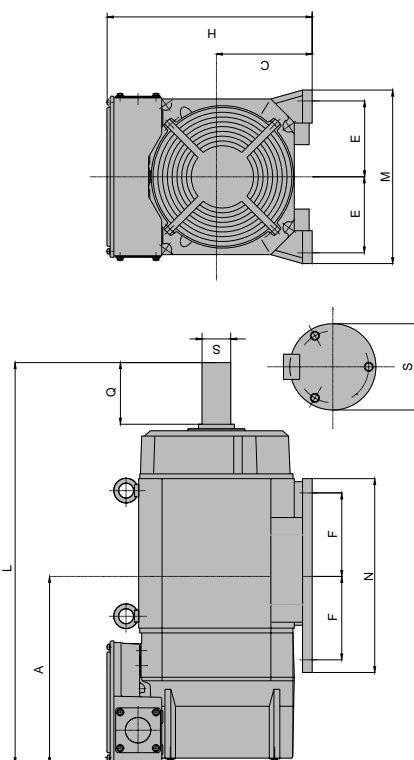
Mounting possibilities



AC Spindle Motors FM7

Foot mounting dimensions (mm).

MOTORS	A	C	E	F	H	L	M	N	Q	S
FM7-A037-S3XX-E01	324	100	80	70	250	499	188	168	60	28 h6
FM7-A055-S3XX-E01	286	112	95	50	269	486	220	129	80	32 h6
FM7-A075-S3XX-E01	296	112	95	70	269	546	220	177	110	48 h6
FM7-A090-S3XX-E01	317	112	95	89	269	586	220	215	110	48 h6
FM7-A110-S3XX-E01	264	160	127	89	343	571	290	223	110	48 h6
FM7-A150-S3XX-E01	264	160	127	89	343	571	290	223	110	48 h6
FM7-A185-S3XX-E01	310	160	127	105	343	633	290	255	110	48 h6
FM7-A220-S3XX-E01	313.5	160	127	139.5	343	671	290	324	110	48 h6
FM7-A300-S3XX-E01	381	180	139.5	127	407	769	320	298	140	60 m6
FM7-A370-S3XX-E01	421	180	139.5	127	407	809	320	298	140	60 m6
FM7-A510-S3XX-E01	398	225	178	155.5	540	842.5	420	425	140	70 m6
FM7-B120-S3XX-E01	310	160	127	105	343	633	290	255	110	48 h6
FM7-B170-S3XX-E01	313.5	160	127	139.5	343	671	290	324	110	48 h6
FM7-B220-S3XX-E01	381	180	139.5	127	407	769	320	298	140	60 m6
FM7-B280-S3XX-E01	421	180	139.5	127	407	809	320	298	140	60 m6
FM7-C215-S3XX-E01	398	225	178	155.5	540	842.5	420	425	140	70 m6
FM7-C270-S3XX-E01	429	225	178	174.5	540	892.5	420	465	140	70 m6
FM7-E600-S3XX-E01	589	225	178	228.5	540	1065.5	420	590	140	65 m6



Flange mounting dimensions (mm)

MOTORS	D	I	KL	KI	L	Q	S
FM7-A037-S1XX-E01	174	---	150	174	499	60	28 h6
FM7-A055-S1XX-E01	204	270	158	204	486	80	32 h6
FM7-A075-S1XX-E01	204	270	158	204	546	110	48 h6
FM7-A090-S1XX-E01	204	270	158	204	586	110	48 h6
FM7-A110-S1XX-E01	260	343	183	279	571	110	48 h6
FM7-A150-S1XX-E01	260	343	183	279	571	110	48 h6
FM7-A185-S1XX-E01	260	343	183	279	633	110	48 h6
FM7-A220-S1XX-E01	260	343	183	279	671	110	48 h6
FM7-A300-S1XX-E01	320	440	227	320	769	140	60 m6
FM7-A370-S1XX-E01	320	440	227	320	809	140	60 m6
FM7-A510-S1XX-E01	380	504	315	388	847	140	70 m6
FM7-B120-S1XX-E01	260	343	183	279	633	110	48 h6
FM7-B170-S1XX-E01	260	343	181	250	671	110	48 h6
FM7-B220-S1XX-E01	320	440	227	320	769	140	60 m6
FM7-B280-S1XX-E01	320	440	227	320	809	140	60 m6
FM7-C215-S1XX-E01	380	504	315	388	847	140	70 m6
FM7-C270-S1XX-E01	380	504	315	388	897	140	70 m6
FM7-E600-S1XX-E01	380	526	315	388	1065.5	140	65 m6

